



YESCHAMP IMP & EXP (TAIZHOU) CO., LTD.

Add: F3 Purity Building, No. 6 Dong'an South
RD., Daxi Town, Wenling, Zhejiang, China
Tel: +86-576-86090666
Website: www.purityfire.com
E-mail: info@yeschamp.com
Wechat/Whatsapp: +86-18667600006



SEWAGE SUBMERSIBLE PUMP



When did it happen
It must have been done yesterday
Scientific and technological

When did it happen
It must have been done yesterday
Scientific and technological



CONTENTS

01 SUBMERSIBLE SEWAGE PUMP

WQ-NEW ITALIAN DESIGNED SUBMERSIBLE SEWAGE PUMP	01
WQV-CUTTING SUBMERSIBLE PUMP WITH VORTEX IMPELLER	08
WQ-SUBMERSIBLE SEWAGE NON-CLOGGING PUMP	12
WQH-DOMESTIC SUBMERSIBLE SEWAGE PUMP	18

SUBMERSIBLE SEWAGE PUMP

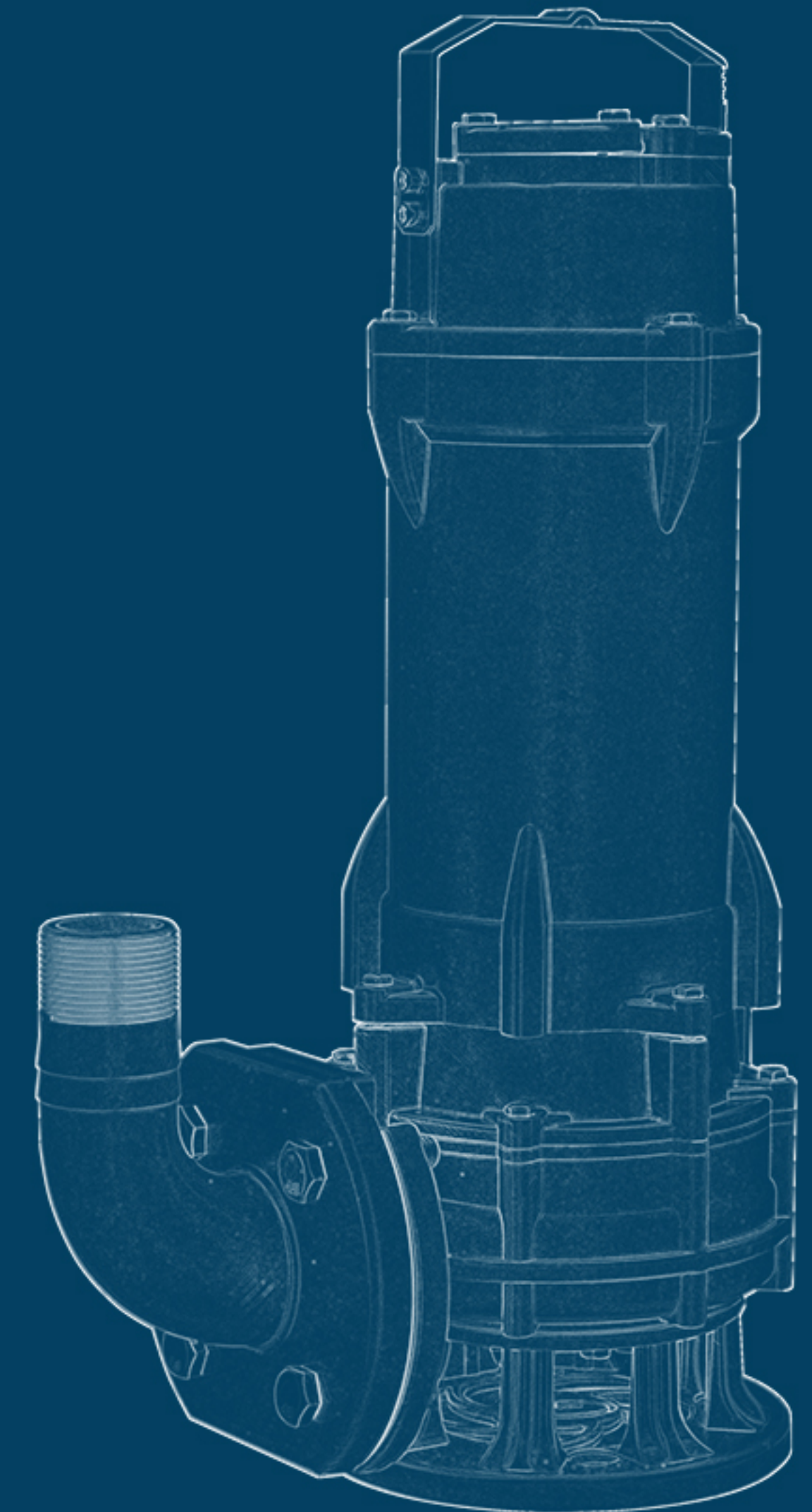
In areas with no sewer systems, or areas where gravitation systems are unsuitable, sewage pumps are the perfect choice for transfer of effluent and domestic sewage to the public sewer or sewage treatment plant. Purity offers the perfect pump for such systems. The Purity pump range (WQ) provides many customer benefits, combining cost-effectiveness with maximum protection of the environment.

Unique user benefits

1. Highly efficient and very dependable
2. Improved discharge pressure
3. New, efficient grinder system
4. A completely watertight unit

The Purity sewage pumps are specifically designed for sewage treatment system, sewage discharge.

- Waste water treatment
- Municipal Sewage water, Flood drainage
- Drainage of wastewater from individual residences, apartment buildings, recreational developments
- Transferring wastewater of schools, federal, state and local parks
- To transfer various wastewater of hospital, restaurant, factory, hotel, etc.



10 +

More than 10 years of experience in manufacturing

60 +

Export to more than 60 countries

1000 +

Thousands of Goods

40,000 +

Square meters Factory

ITALIAN DESIGNED SUBMERSIBLE SEWAGE PUMP

OVERVIEW

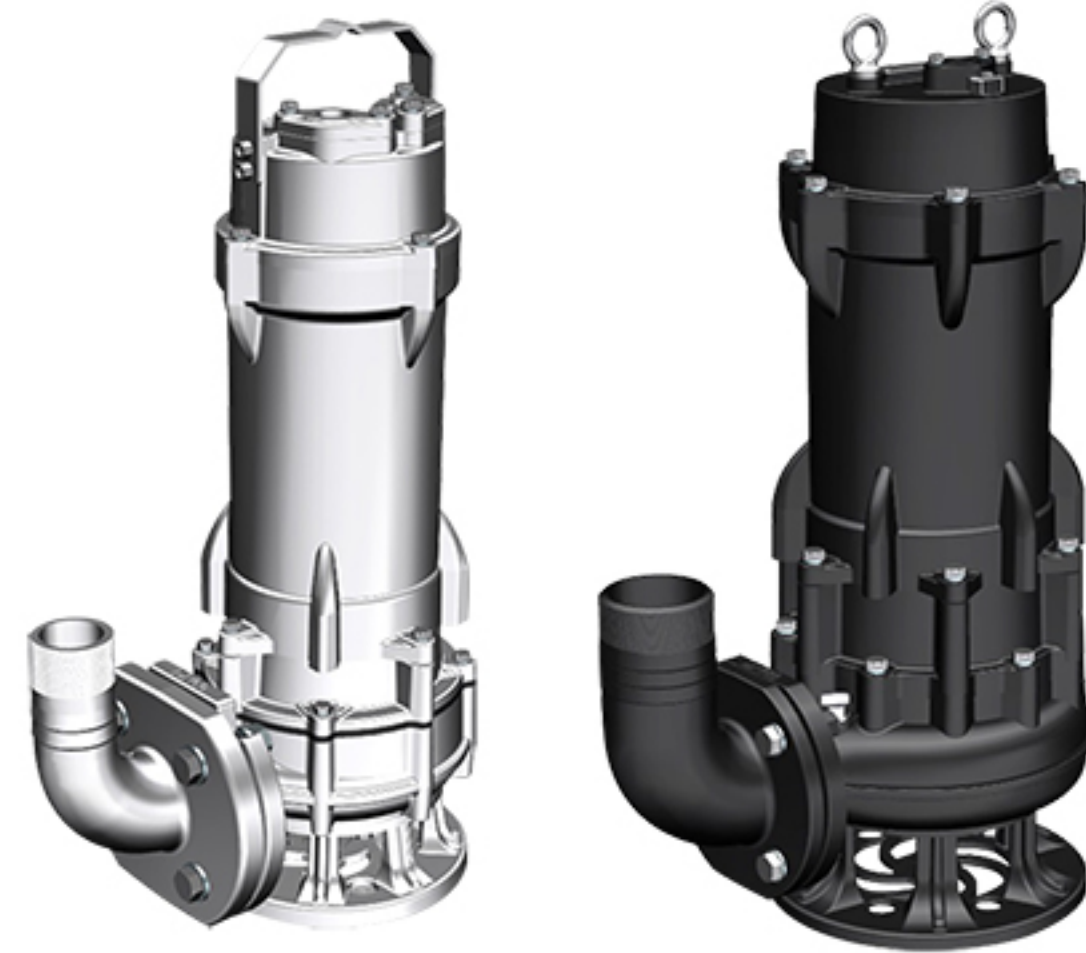
New WQD -Italian designed submersible sewage pump adopts anti-blockage hydraulic tech.with strong particle passing capacity.

Our new sewage pump have two patent technologies.

1.Outlet can be connected with flange PN6 or PN10.

2.It's installed with special o-ring seal between the outlet and the flange, which can enhance waterproof.

And our pump use the double O-ring seals on the top cover and the barrel to enhance watarnroof.



TECHNICAL SHEET

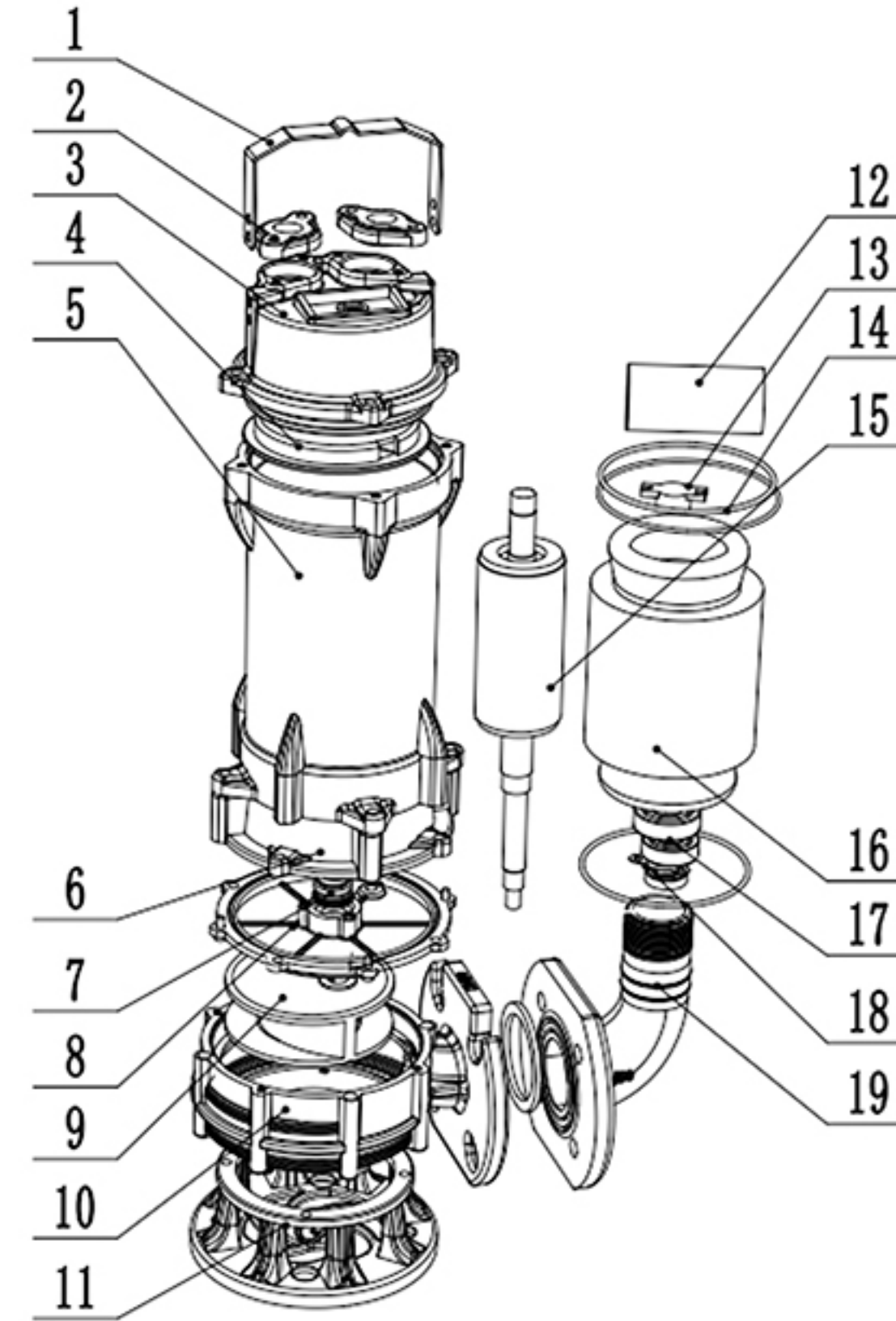
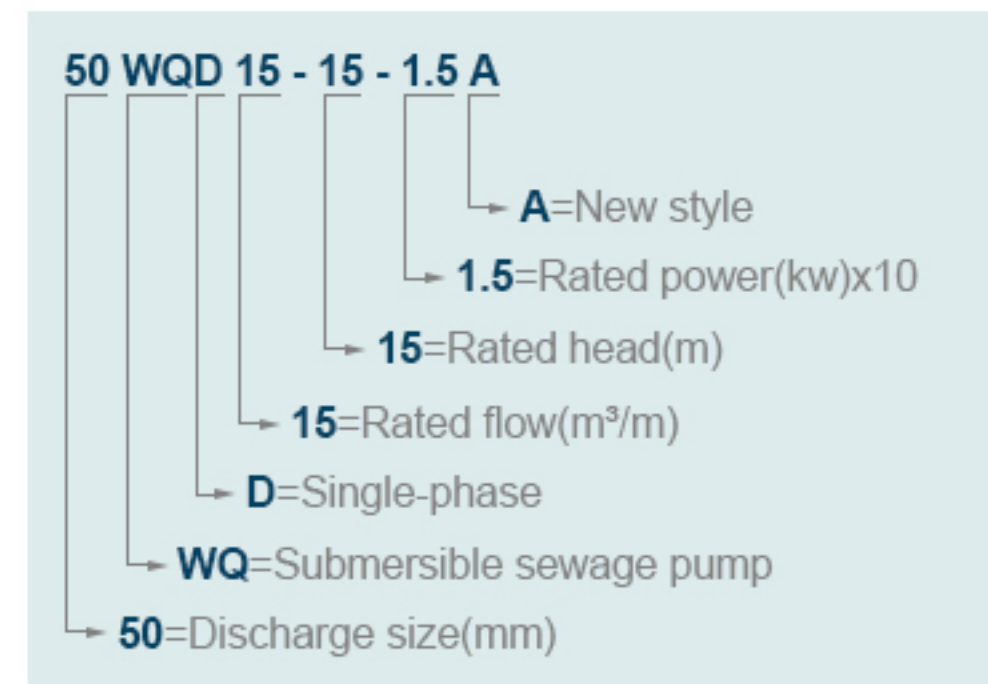
Model	WQ
Capacity	50-1500GPM
Head	1-60m
DN	40-300mm
speed	1500/3000rpm
T max	40°C
Power	0.75-75kw
Casing	Cast iron
Impeller	Cast iron
Shaft	SS304-45
Shaft seal	SiC/Carbon/SS304
Bearing	Ball Bearing

APPLICATIONS

Submersible sewage pumps form the backbone of many sewage systems.

- ◆ Waste water treatment
- ◆ Municipal Sewage water, Flood drainage
- ◆ Drainage of wastewater from individual residences, apartment buildings,recreational developments
- ◆ Transferring wastewewater of schools ,federal,state and local parks
- ◆ To transfer various wastewaterewater of hospital, restaurant, factory, hotel, etc.

MODEL CODE



1	Handle	Q235
2	Cable clamp	HT200
3	Cover	HT200
4	Upper bearing seat	HT200
5	Motor Case	HT200
6	Oil Chamber	HT200
7	Mechanical Seal	Units
8	Cylinder head	HT200
9	Impeller	HT200
10	Pump body	HT200
11	Base	HT200
12	Capacitance	Units
13	Thermal Protector	Units
14	O-ring	NBR
15	Rotor	Units
16	Stator	Units
17	Bearing	Units
18	Framework-oil seal	Units

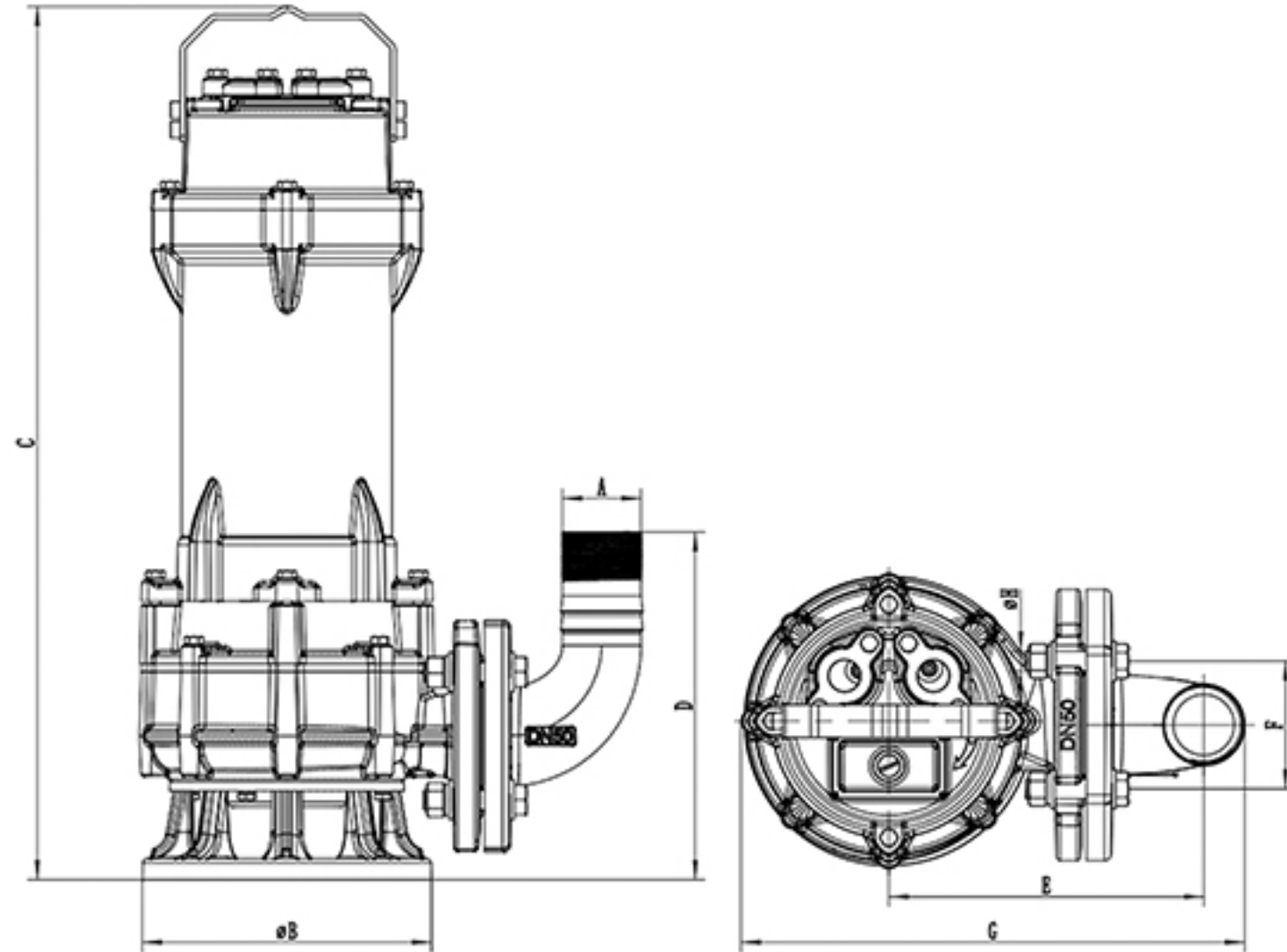
Model	Rated flow (m³/h)	Rated head (m)	Rated power (KW)	Discharge size (mm)	Speed (r/min)	Voltage (V)
40WQ6-16-0.75A	6	16	0.75	40	3000	380
40WQD6-16-0.75A	6	16	0.75	40	3000	220
50WQ10-10-0.75A	10	10	0.75	50	3000	380
50WQD10-10-0.75A	10	10	0.75	50	3000	220
50WQ8-16-1.1A	8	16	1.1	50	3000	380
50WQD8-16-1.1A	8	16	1.1	50	3000	220
65WQ15-10-1.1A	15	10	1.1	65	3000	380
65WQD15-10-1.1A	15	10	1.1	65	3000	220
50WQ8-20-1.5A	8	20	1.5	50	3000	380
50WQD8-20-1.5A	8	20	1.5	50	3000	220
50WQ15-15-1.5A	15	15	1.5	50	3000	380
50WQD15-15-1.5A	15	15	1.5	50	3000	220
65WQ25-10-1.5A	25	10	1.5	65	3000	380
65WQD25-10-1.5A	25	10	1.5	65	3000	220

Model	Rated flow (m³/h)	Rated head (m)	Rated power (KW)	Discharge size (mm)	Speed (r/min)	Voltage (V)
50WQ9-22-2.2A	9	22	2.2	50	3000	380
50WQ15-20-2.2A	15	20	2.2	50	3000	380
65WQ25-17-2.2A	25	17	2.2	65	3000	380
80WQ45-9-2.2A	45	9	2.2	80	3000	380
50WQ15-30-3A	15	30	3	50	3000	380
65WQ25-22-3A	25	22	3	65	3000	380
80WQ43-13-3A	43	13	3	80	3000	380
100WQ60-9-3A	60	9	3	100	3000	380
50WQ15-35-4A	15	35	4	50	3000	380
65WQ25-28-4A	25	28	4	65	3000	380
80WQ40-18-4A	40	18	4	80	3000	380
100WQ60-13-4A	60	13	4	100	3000	380
50WQ15-40-5.5A	15	40	5.5	50	3000	380
65WQ30-30-5.5A	30	30	5.5	65	3000	380
80WQ30-30-5.5A	30	30	5.5	80	3000	380
100WQ65-15-5.5A	65	15	5.5	100	3000	380
150WQ100-7-5.5A	100	7	5.5	150	3000	380
50WQ20-45-7.5A	20	45	7.5	50	3000	380
65WQ30-35-7.5A	30	35	7.5	65	3000	380
80WQ30-36-7.5A	30	36	7.5	80	3000	380
100WQ65-22-7.5A	65	22	7.5	100	3000	380
150WQ100-10-7.5A	100	10	7.5	150	3000	380
65WQ25-45-11	25	45	11	65	3000	380
80WQ45-40-11	45	40	11	80	3000	380
100WQ100-25-11	100	25	11	100	3000	380
150WQ150-15-11	150	15	11	150	3000	380
200WQ210-7-11	210	7	11	200	3000	380
65WQ25-60-15	25	60	15	65	3000	380
80WQ40-50-15	40	50	15	80	3000	380
100WQ100-30-15	100	30	15	100	3000	380
150WQ150-20-15	150	20	15	150	3000	380
200WQ220-12-15	220	12	15	200	3000	380
80WQ60-45-18.5	60	45	18.5	80	3000	380
100WQ100-35-18.5	100	35	18.5	100	3000	380
150WQ130-25-18.5	130	25	18.5	150	3000	380
200WQ200-15-18.5	200	15	18.5	200	3000	380
80WQ60-50-22	60	50	22	80	3000	380
100WQ100-40-22	100	40	22	100	3000	380
150WQ130-30-22	130	30	22	150	3000	380
200WQ200-20-22	200	20	22	200	3000	380

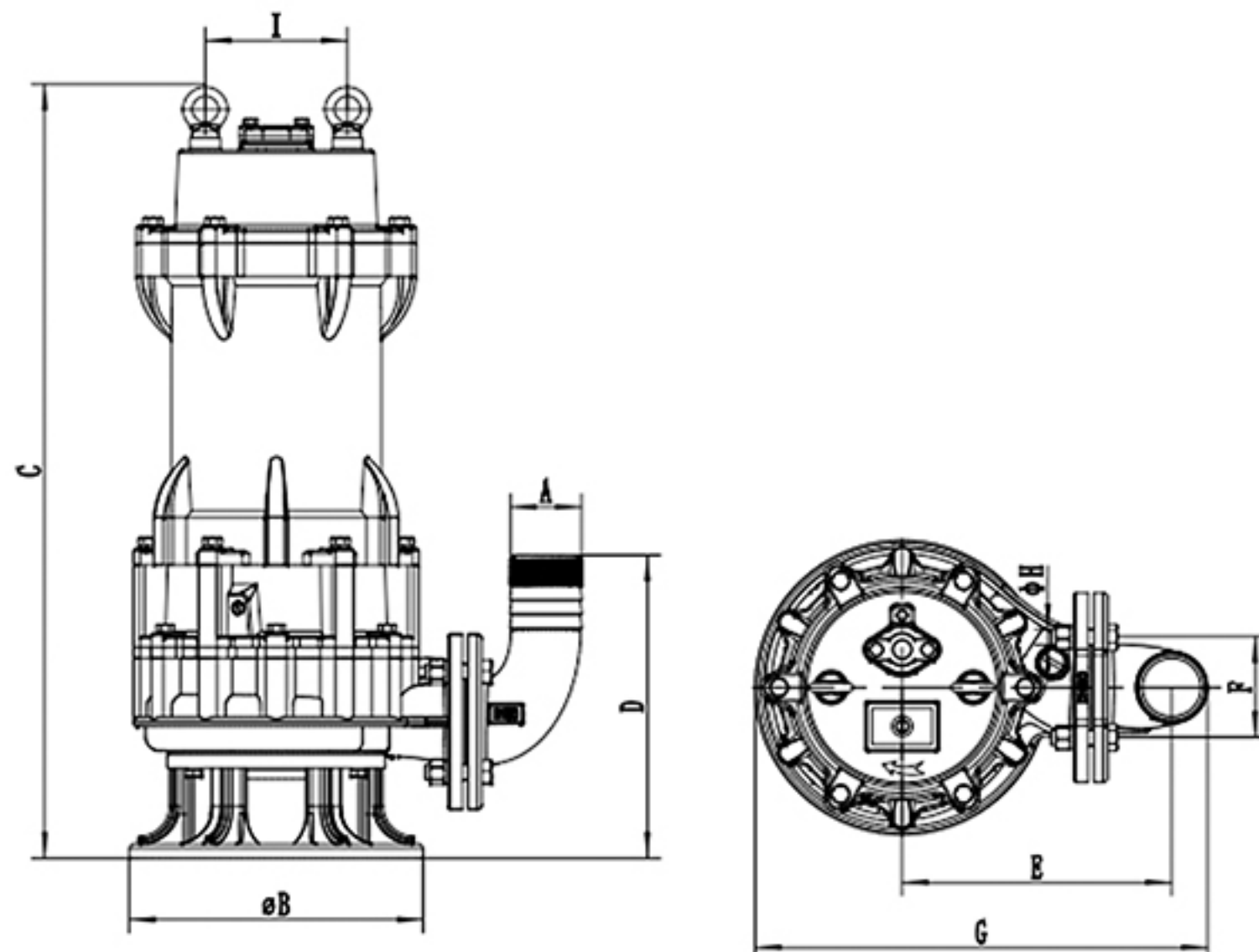
Model	Rated flow (m³/h)	Rated head (m)	Rated power (KW)	Discharge size (mm)	Speed (r/min)	Voltage (V)
100WQ65-15-5.5	65	15	5.5	100	1500	380
150WQ110-10-5.5	110	10	5.5	150	1500	380
100WQ100-15-7.5	100	15	7.5	100	1500	380
150WQ150-10-7.5	150	10	7.5	150	1500	380
200WQ250-6-7.5	250	6	7.5	200	1500	380
100WQ100-22-11	100	22	11	100	1500	380
150WQ150-15-11	150	25	11	150	1500	380
200WQ300-9-11	300	9	11	200	1500	380
100WQ100-27-15	100	27	15	100	1500	380
150WQ150-20-15	150	20	15	150	1500	380
200WQ300-12-15	300	12	15	200	1500	380
100WQ100-31-18.5	100	31	18.5	100	1500	380
150WQ150-24-18.5	150	24	18.5	150	1500	380
200WQ300-15-18.5	300	15	18.5	200	1500	380
100WQ100-36-22	100	36	22	100	1500	380
150WQ150-28-22	150	28	22	150	1500	380
200WQ300-18-22	300	18	22	200	1500	380
250WQ500-11-22	500	11	22	250	1500	380
150WQ150-34-30	150	34	30	150	1500	380
200WQ300-21-30	300	21	30	200	1500	380
250WQ500-14-30	500	14	30	250	1500	380
300WQ800-8-30	800	8	30	300	1500	380
150WQ150-40-37	150	40	37	150	1500	380
200WQ300-25-37	300	25	37	200	1500	380
250WQ500-18-37	500	18	37	250	1500	380
300WQ800-11-37	800	11	37	300	1500	380
200WQ300-30-45	300	30	45	200	1500	380
250WQ500-21-45	500	21	45	250	1500	380
300WQ800-14-45	800	14	45	300	1500	380
200WQ300-36-55	300	36	55	200	1500	380
250WQ500-25-55	500	25	55	250	1500	380
300WQ800-18-55	800	18	55	300	1500	380
200WQ300-46-75	300	46	75	200	1500	380
250WQ500-34-75	500	34	75	250	1500	380
300WQ800-25-75	800	25	75	300	1500	380

INSTALLATION SIZE DRAWING

1.Installation Size Sheet 1(Parameter corresponding Table 1)



2.Installation Size Sheet 2(Parameter corresponding Table 2)



INSTALLATION DIMENSIONS(1)

MODEL	A mm	B mm	C mm	D mm	E mm	F mm	G mm	H mm
40WQ6-16-0.75A	G1 1/4	176	480	181	186	71	299	12
40WQD6-16-0.75A	G1 1/4	176	480	181	186	71	299	12
50WQ10-10-0.75A	G1 1/4	176	500	212.5	208	76.5	321	12
50WQD10-0-0.75A	G1 1/4	176	500	212.5	208	76.5	321	12
50WQ10-15-1.1A	G1 1/2	176	530	211.5	193	76.5	306	12
50WQD10-15-1.1A	G1 1/2	176	530	211.5	193	76.5	306	12
50WQ8-20-1.5A	G1 1/2	176	530	211.5	193	76.5	306	12
50WQD8-20-1.5A	G1 1/2	176	530	211.5	193	76.5	306	12
50WQ15-15-1.5A	G1 1/2	176	530	211.5	193	76.5	306	12
50WQD15-15-1.5A	G1 1/2	176	530	211.5	193	76.5	306	12
65WQ15-10-1.1A	G2	176	530	244	205	92	326	12
65WQD15-10-1.1A	G2	176	530	244	205	92	326	12
65WQ25-10-1.5A	G2	176	530	244	205	92	326	12
65WQD25-10-1.5A	G2	176	503	244	205	92	326	12

INSTALLATION DIMENSIONS(2)

MODEL	A mm	B mm	C mm	D mm	E mm	F mm	G mm	H mm	I mm
50WQ9-22-2.2A	G1 1/2	220	595	234	240	78	375	12	94
50WQ15-20-2.2A	G1 1/2	220	595	234	240	78	375	12	94
50WQ15-30-3A	G1 1/2	220	630	234	240	78	375	12	94
50WQ15-35-4A	G1 1/2	260	717	266.5	257	78	411	12	93
50WQ15-40-5.5A	G1 1/2	260	757	266.5	257	78	411	12	93
50WQ20-42-7.5A	G1 1/2	310	812.7	274	270.2	78	450.1	12	150
65WQ25-17-2.2A	G2	220	597	268	225	92	362	12	94
65WQ25-22-3A	G2	220	632	268	225	92	362	12	94
65WQ25-28-4A	G2	260	710.5	294	257	92	419	12	93
65WQ30-30-5.5A	G2	260	750.5	294	257	92	419	12	93
65WQ30-35-7.5A	G2	310	813.7	300	286	92	468	12	150
80WQ45-9-2.2A	G2 1/2	220	618	294	250	106	394	16	94
80WQ43-13-3A	G2 1/2	220	653	294	250	106	394	16	94
80WQ40-18-4A	G2 1/2	260	712	311	269.5	106	437.5	16	93
80WQ30-30-5.5A	G2 1/2	260	750	311	269.5	106	437.5	16	93
80WQ30-36-7.5A	G2 1/2	310	813.7	320	265	121	423	16	94
100WQ60-9-3A	G3 1/2	220	653	318	293.5	121	498.5	16	93
100WQ65-13-4A	G3 1/2	260	743.5	358	293.5	121	498.5	16	93
100WQ65-18-5.5A	G3 1/2	260	783.5	358	299.5	121	502	12	150
100WQ65-22-7.5A	G3 1/2	310	840	363	360.5	208	582	16	93
150WQ10-10-7.5A	/	310	843.5	401	363	208	591	12	150

SUBMERSIBLE SEWAGE PUMPS WITH VORTEX IMPELLER

OVERVIEW

- ◆ New cutting submersible sewage pumps design
- ◆ Equipped with vortex alloy impeller with 48HR(hardness)
- ◆ Better hydraulic characteristics
- ◆ Pump case in heavy gauge robust cast iron HT250
- ◆ Casing resistant to abrasion and long-lasting
- ◆ Discharge port with bolts,nuts and gaskets
- ◆ Quality NSK bearing, wear resistance mechanical seal



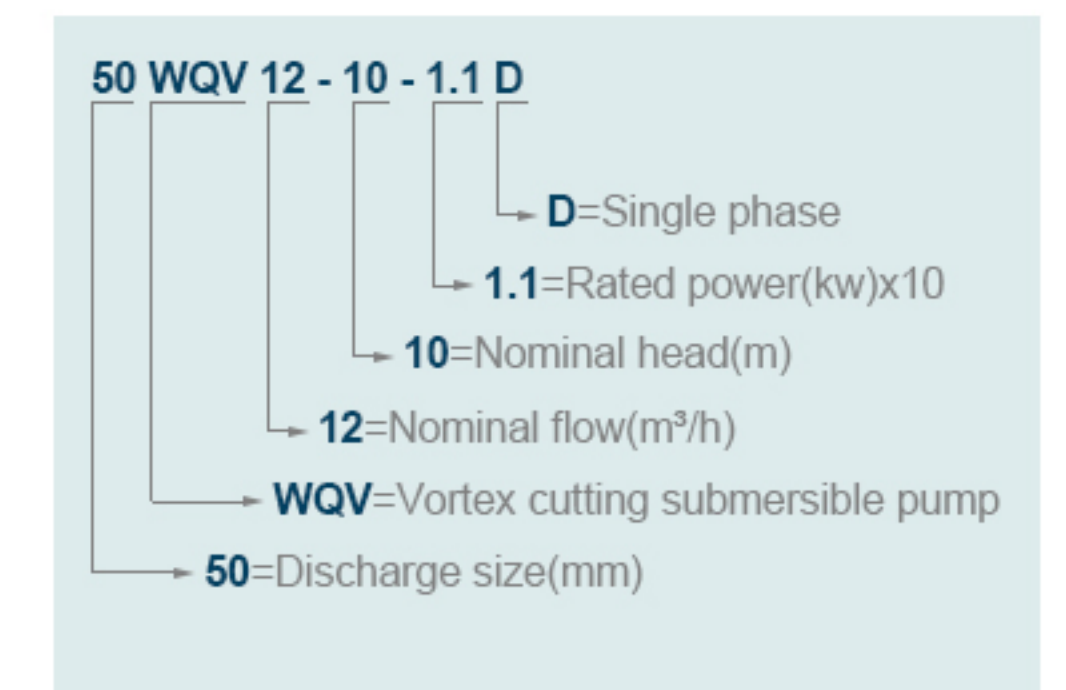
TECHNICAL SHEET

Model	WQV
Capacity	1-800m3/h
Head	1-60m
DN	40-300mm
speed	1500/3000rpm
T max	40°C
Power	0.75-75kw
Casing	Cast iron
Impeller	Cast iron
Shaft	SS304-45
Shaft seal	Mechanical Seal, Carbon-SiC-NBR
Bearing	NSK

APPLICATION

- ◆ Evacuation of civil and industrial waste waters
- ◆ Treating liquid manure
- ◆ Draining sub-layer zones
- ◆ Generally moving foul waste liquids also containing solid substances and/or suspended filamentary substances
- ◆ Emptying seepage water
- ◆ Moving sewage (sanitary services)
- ◆ Emptying cesspits

MODEL CODE

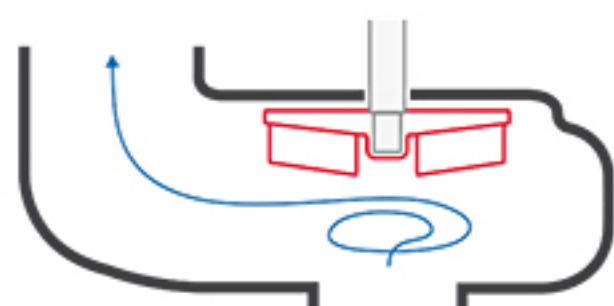


TECHNICAL DATA

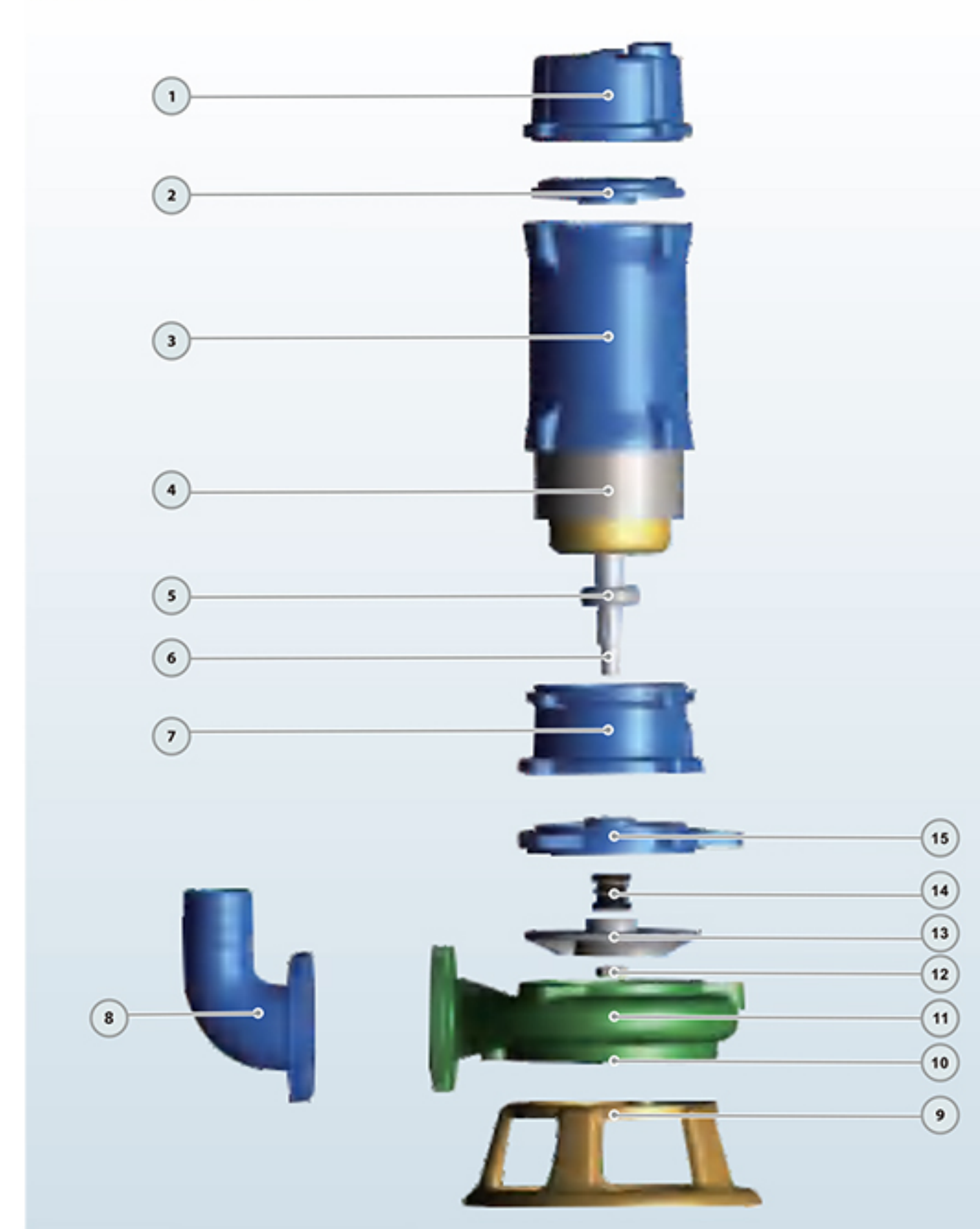
50 Hz n=2900/1450 1/min

MODEL		Power		Rated Q	Rated H	RPM	DN	KGS	DIM
Single-phase	Three-phase	hp	kw	m³/h	m		mm		cm
40WQV10-10-0.75D	40WQV10-10-0.75	1	0.75	10	10	2900	40	22.5	48*20*22
40WQV12-10-1.1D	40WQV12-10-1.1	1.5	1.1	12	10	2900	40	23.7	48*20*22
50WQV10-10-0.75D	50WQV10-10-0.75	1	0.75	10	10	2900	50	22.5	48*20*22
50WQV12-10-1.1D	50WQV12-10-1.1	1.5	1.1	12	10	2900	50	23.7	48*20*22
50WQV15-15-1.5D	50WQV15-15-1.5	2	1.5	15	15	2900	50	36.5	60*27*25
-	50WQV9-22-2.2	3	2.2	9	22	2900	50	40.1	61*29*29
-	65WQV25-15-2.2	3	2.2	25	15	2900	65	41.4	61*29*29
-	80WQV45-9-2.2	3	2.2	45	9	2900	80	43.4	61*29*29
-	50WQV20-22-3	4	3	20	22	2900	50	45.8	63*26*30
-	65WQV35-15-3	4	3	35	15	2900	65	46.6	63*26*30
-	80WQV43-13-3	4	3	43	13	2900	80	47.4	63*26*30
-	65WQV25-22-4	5.5	4	25	22	2900	65	52.2	64*29*32
-	80WQV45-17-4	5.5	4	45	17	2900	80	52.9	64*29*32
-	80WQV30-25-4	5.5	4	30	25	2900	80	53.5	64*29*32
-	80WQV45-20-5.5	7.5	5.5	45	20	2900	80	62.5	73*29*34
-	100WQV65-15-5.5	7.5	5.5	65	15	2900	100	63.6	73*29*34
-	80WQV45-22-7.5	10	7.5	45	22	2900	80	72	73*31*35
-	100WQV100-13-7.5	10	7.5	100	13	2900	100	73.5	73*31*35
-	100WQV80-25-11	15	11	80	25	1450	100	187	96*53*44
-	150WQV150-15-11	15	11	150	15	1450	150	201	101*52*42
-	100WQV80-30-15	20	15	80	30	1450	100	208	100*53*44
-	150WQV200-15-15	20	15	200	15	1450	150	222	105*52*42
-	150WQV250-15-18.5	25	18.5	250	15	1450	150	286	115*57*44
-	200WQV350-12-18.5	25	18.5	350	12	1450	200	294	120*58*46
-	150WQV300-15-22	30	22	300	15	1450	150	307	125*57*44
-	200WQV400-10-22	30	22	400	10	1450	200	324	120*58*46
-	200WQV350-15-30	40	30	350	15	1450	200	440	135*57*67
-	250WQV600-10-30	40	30	600	10	1450	250	440	140*60*67

IMPELLER TYPE



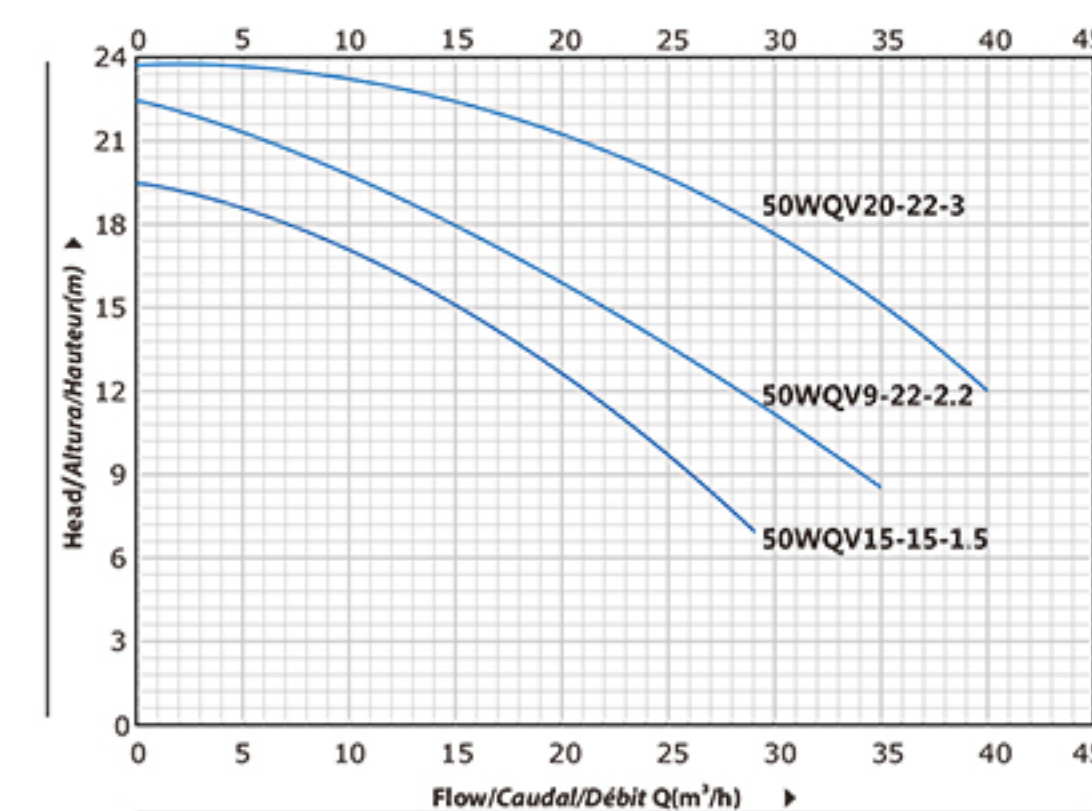
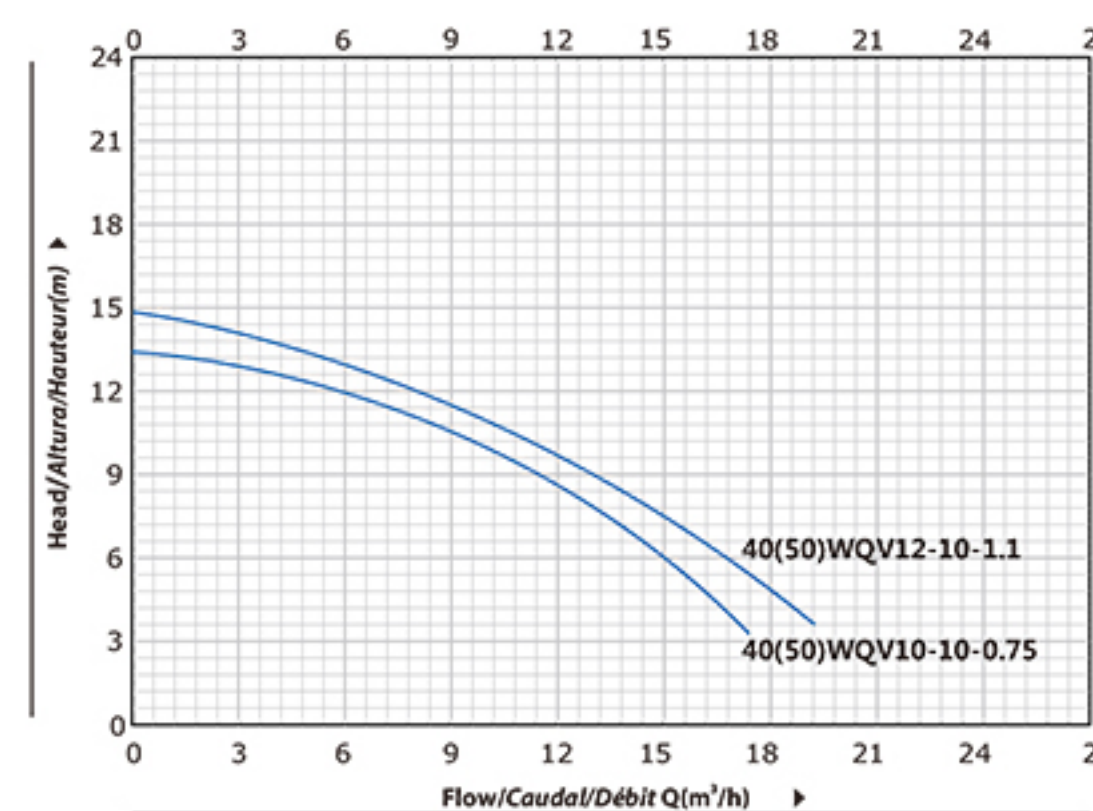
MATERIAL DESCRIPTION



No.	Description	Material
1	Motor cover	Cast iron
2	Plate	Cast iron
3	Motor Case	Cast iron
4	Wound Stator/Rotor	Silicon Steel/Copper
5	Bearing	Ball Bearing
6	Shaft	SS304-45# Steel
7	Chamber	Cast iron
8	Output flange	Cast iron
9	Base	Cast iron
10	Cutter plate	Alloy 48HR
11	Pump Case	Cast iron
12	Impeller Nut	Galvanized Steel
13	Impeller	Alloy 48HR
14	Mechanical Seal	SiC/Carbon/SS304
15	Seal plate	Cast iron

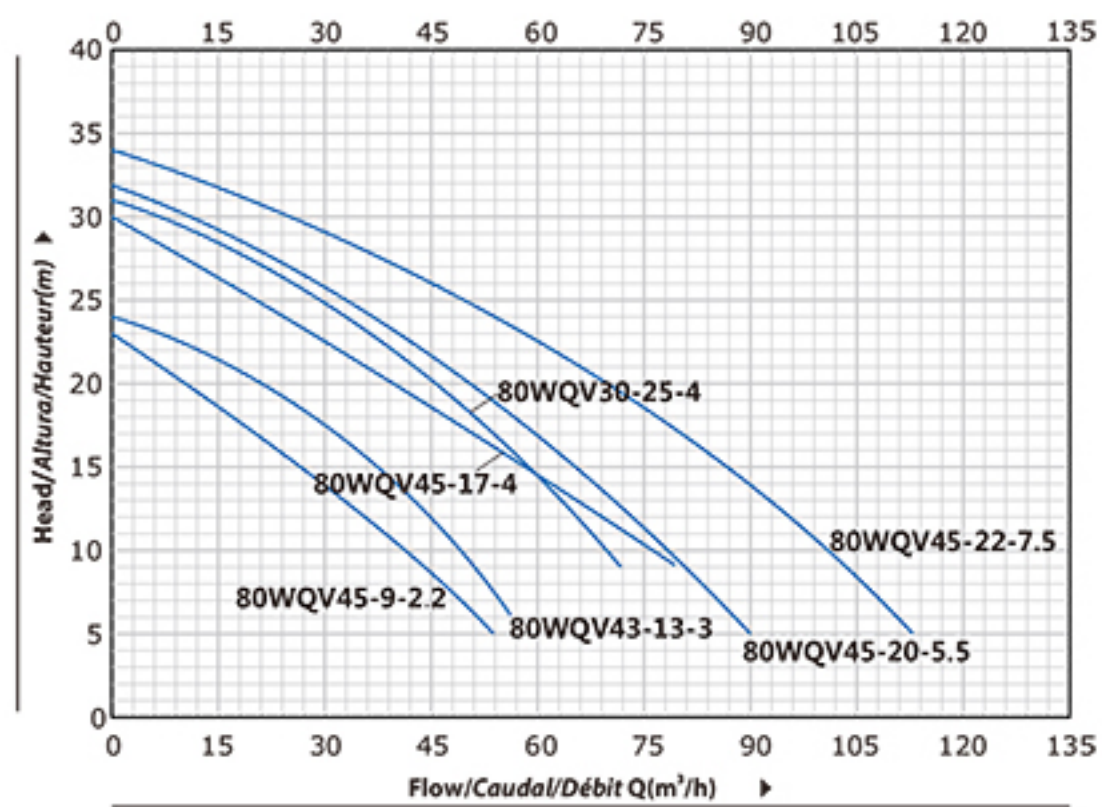
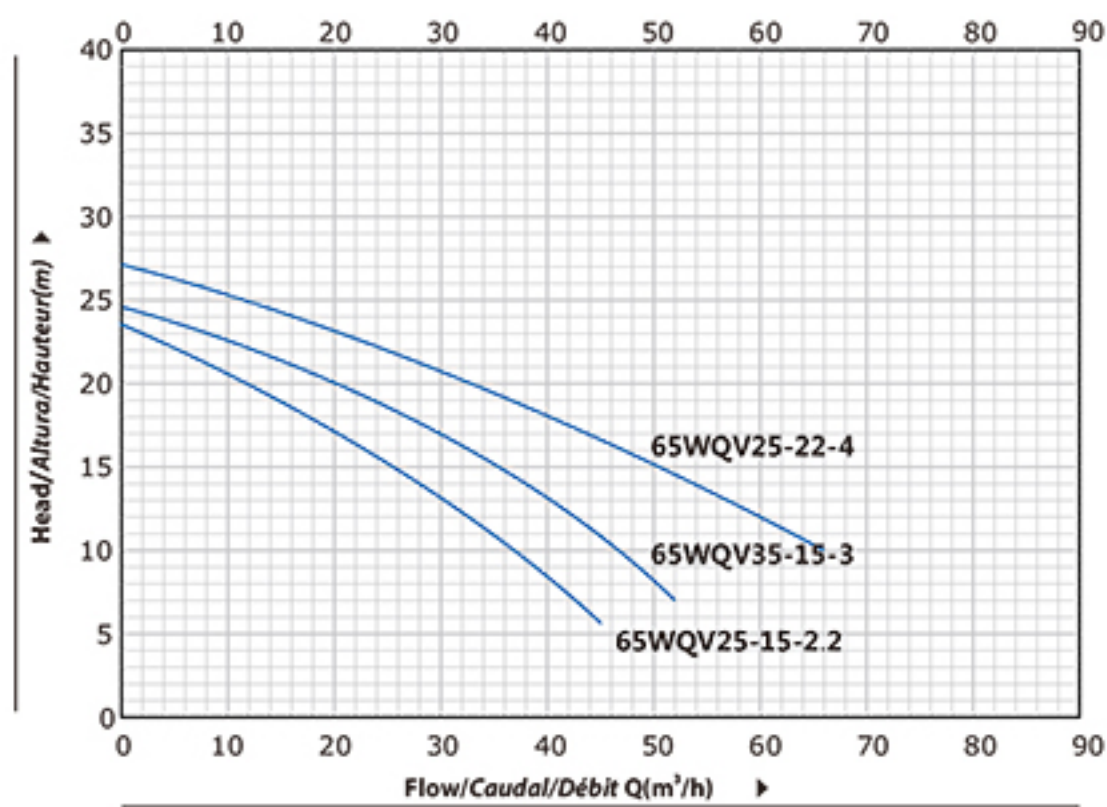
PERFORMANCE CURVE

50 Hz n=2900 1/min

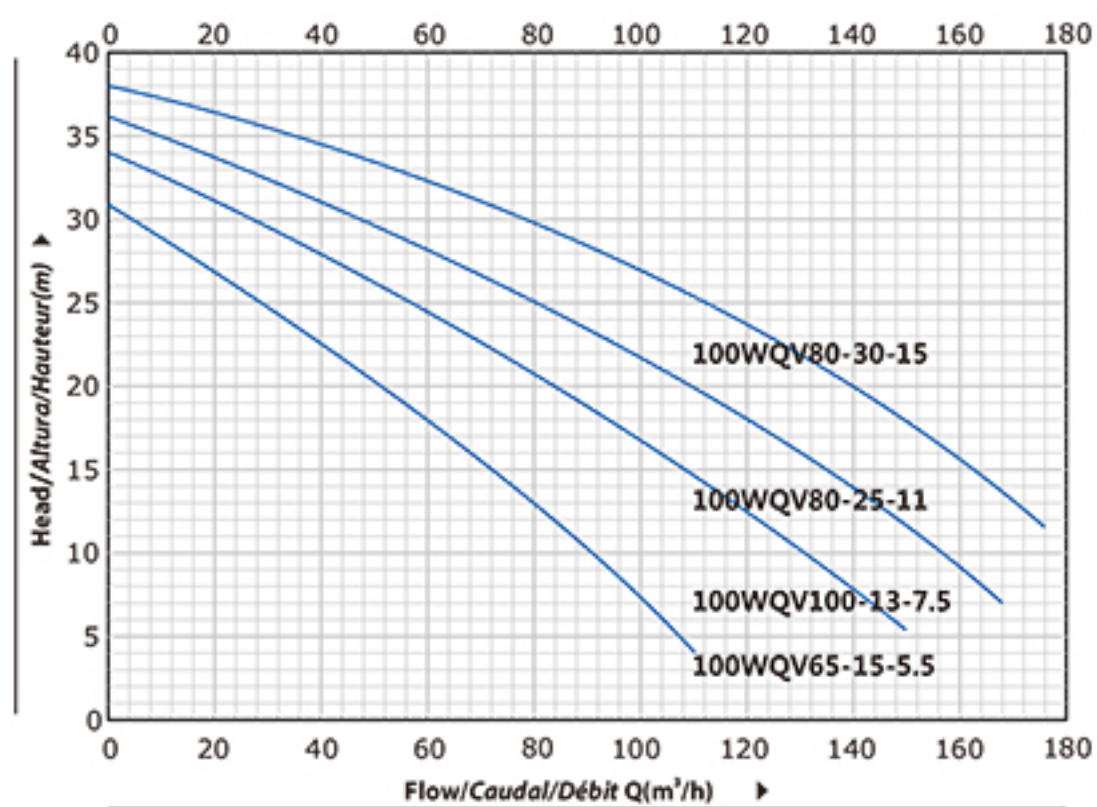


PERFORMANCE CURVE

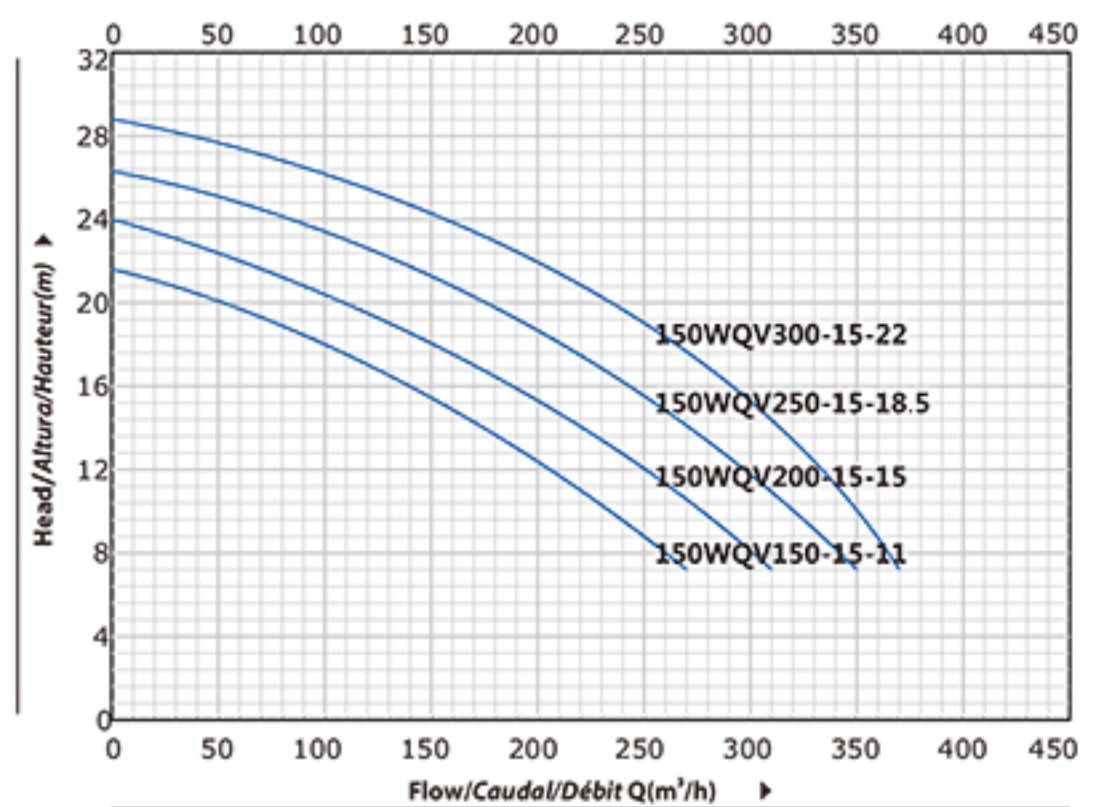
50 Hz n=2900 1/min



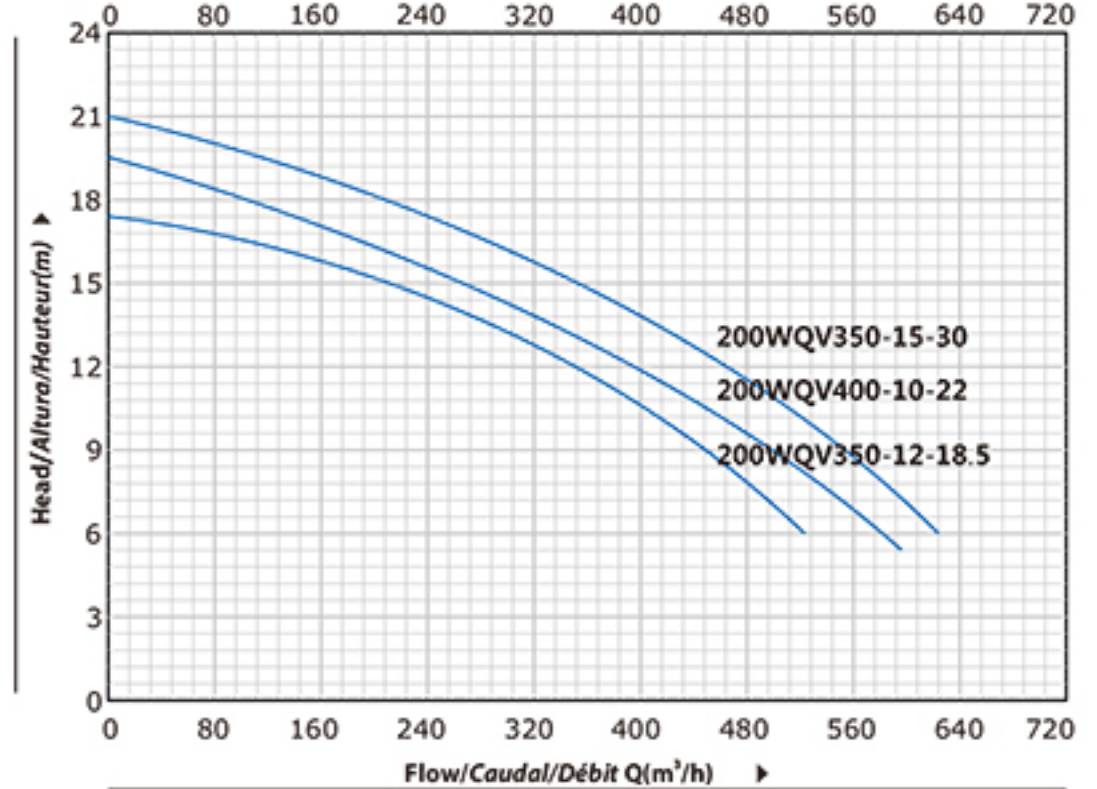
50 Hz n=2900/1450 1/min



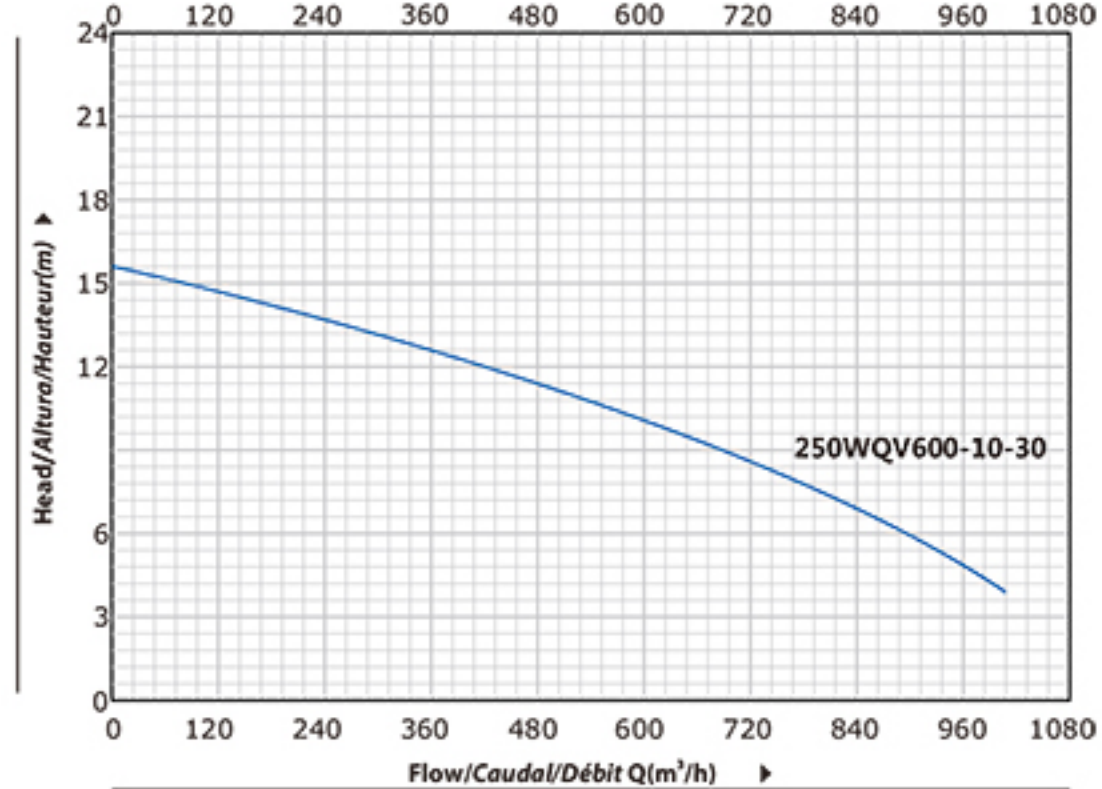
50 Hz n=1450 1/min



50 Hz n=1450 1/min



50 Hz n=1450 1/min



WQ-SUBMERSIBLE SEWAGE NON-CLOGGING PUMP

OVERVIEW

- ◆ Complete range with a full series submersible sewage pumps
- ◆ Better hydraulic characteristics
- ◆ Pump case in heavy gauge robust cast iron HT250
- ◆ Casing resistant to abrasion and long-lasting
- ◆ YE3 high efficient motor, with protection IP68 class F
- ◆ Impeller in two vanes, non-clogging close but big fluid channels
- ◆ Discharge port with bolts, nuts and gaskets



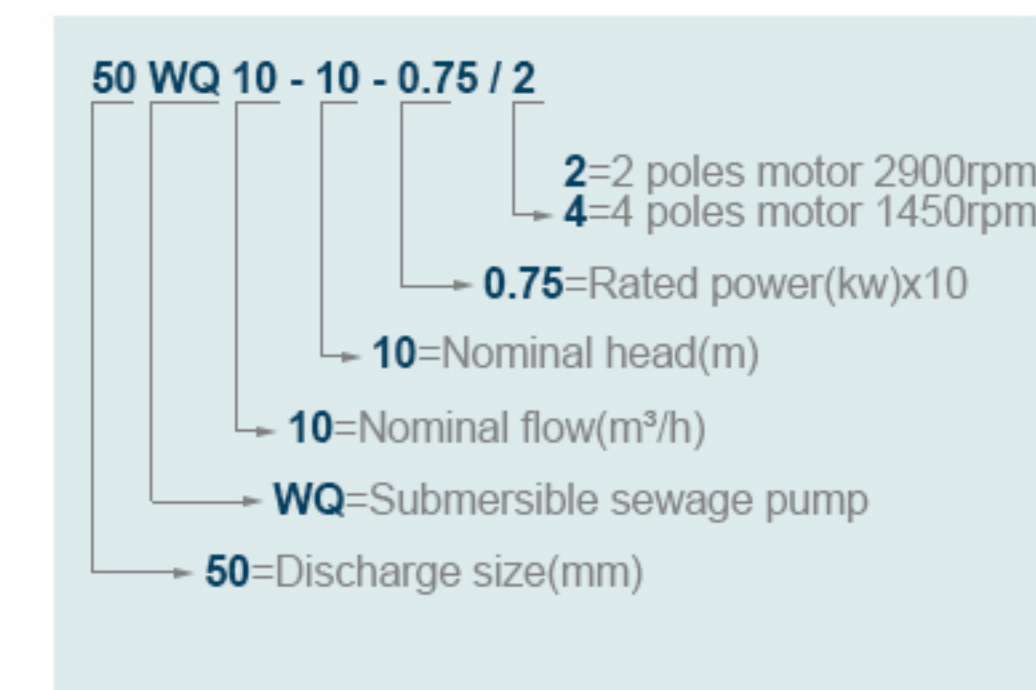
TECHNICAL SHEET

Model	WQ
Capacity	1-1500m ³ /h
Head	1-110m
DN	25-350mm
speed	980/1450/2900rpm
T max	40°C
Power	0.75-75kw
Casing	Cast iron
Impeller	Cast iron
Shaft	Chrome Plating Steel
Shaft seal	Mechanical Seal
Bearing	Chinese famous brand

APPLICATION

- ◆ Evacuation of civil and industrial waste waters
- ◆ Treating liquid manure
- ◆ Draining sub-layer zones
- ◆ Generally moving foul waste liquids also containing solid substances and/or suspended filamentary substances
- ◆ Emptying seepage water
- ◆ Moving sewage (sanitary services)
- ◆ Emptying cesspits

MODEL CODE



TECHNICAL DATA

MODEL	DN	Flow	Head	Power	RPM
	mm	m³/h	m	kw	
50WQ10-10-0.75/2	50	10	10	0.75	2900
50WQ7-15-1.1/2	50	7	15	1.1	2900
25WQ5-22-1.1/2	25	5	22	1.1	2900
32WQ6-20-1.1/2	32	6	20	1.1	2900
40WQ7-18-1.1/2	40	7	18	1.1	2900
50WQ10-12-1.1/2	50	10	12	1.1	2900
65WQ15-9-1.1/2	65	15	9	1.1	2900
40WQ8-18-1.5/2	40	8	18	1.5	2900
50WQ10-16-1.5/2	50	10	16	1.5	2900
50WQ15-15-1.5/2	50	15	15	1.5	2900
65WQ20-10-1.5/2	65	20	10	1.5	2900
80WQ40-7-1.5/2	80	40	7	1.5	2900
100WQ50-5-1.5/2	100	50	5	1.5	2900
40WQ8-24-2.2/2	40	8	24	2.2	2900
50WQ9-22-2.2/2	50	9	22	2.2	2900
50WQ15-20-2.2/2	50	15	20	2.2	2900
65WQ20-15-2.2/2	65	20	15	2.2	2900
80WQ40-10-2.2/2	80	40	10	2.2	2900
100WQ50-7-2.2/2	100	50	7	2.2	2900
50WQ15-25-3/2	50	15	25	3	2900
65WQ25-18-3/2	65	25	18	3	2900
65WQ37-13-3/2	65	37	13	3	2900
80WQ45-12-3/2	80	45	12	3	2900
80WQ43-13-3/2	80	43	13	3	2900
100WQ60-9-3/2	100	60	9	3	2900
50WQ15-30-4/2	50	15	30	4	2900
65WQ25-25-4/2	65	25	25	4	2900
80WQ40-16-4/2	80	40	16	4	2900
100WQ60-12-4/2	100	60	12	4	2900
100WQ80-10-4/2	100	80	10	4	2900
50WQ20-35-5.5/2	50	20	35	5.5	2900
65WQ25-30-5.5/2	65	25	30	5.5	2900
80WQ40-22-5.5/2	80	40	22	5.5	2900
100WQ60-18-5.5/2	100	60	18	5.5	2900
150WQ120-8-5.5/2	150	120	8	5.5	2900
50WQ20-42-7.5/2	50	20	42	7.5	2900
65WQ25-36-7.5/2	65	25	36	7.5	2900
80WQ40-28-7.5/2	80	40	28	7.5	2900
100WQ65-22-7.5/2	100	65	22	7.5	2900
150WQ100-10-7.5/2	150	100	10	7.5	2900
50WQ20-55-11/2	50	20	55	11	2900
65WQ30-40-11/2	65	30	40	11	2900
80WQ60-30-11/2	80	60	30	11	2900

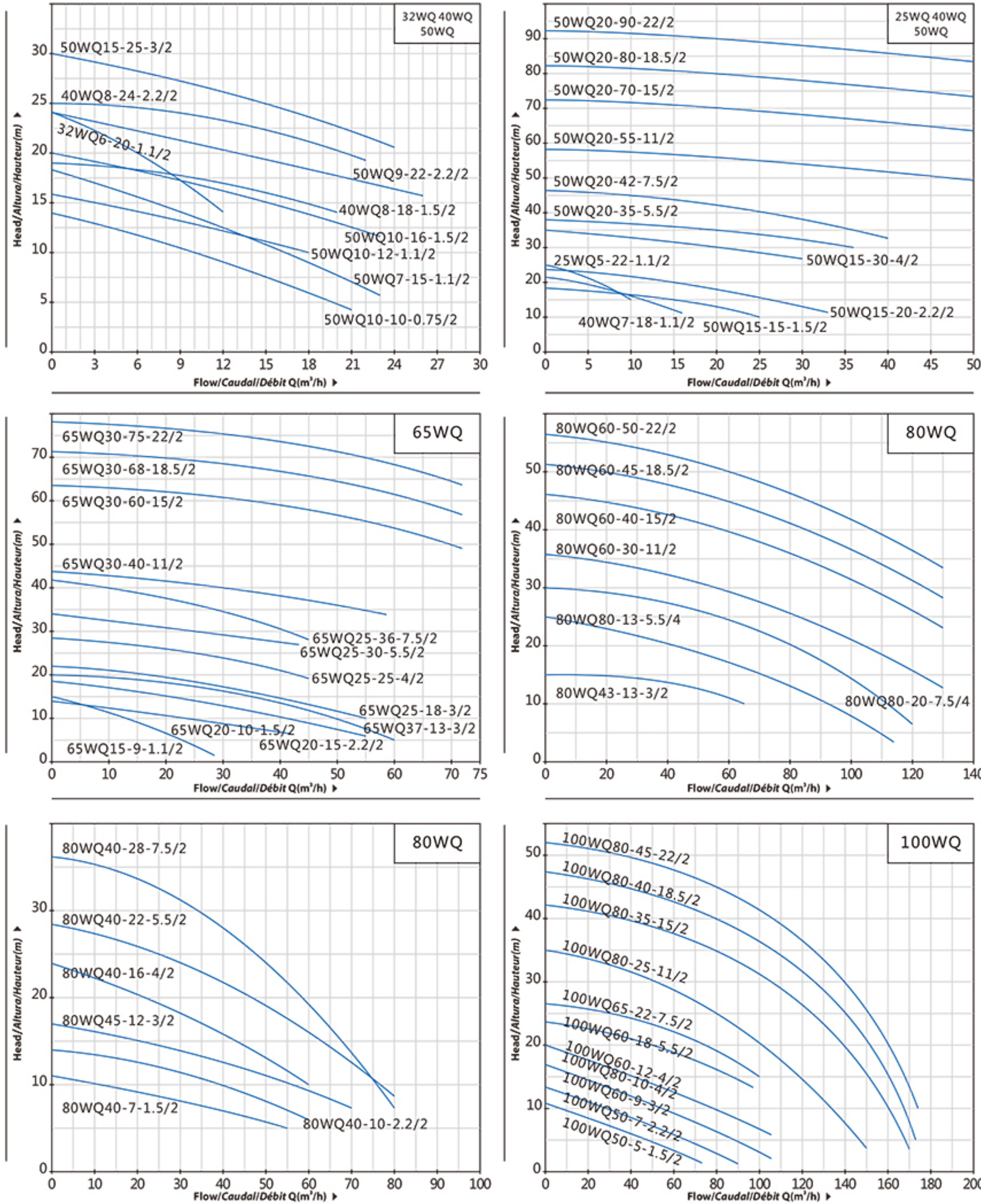
MODEL	DN	Flow	Head	Power	RPM
	mm	m³/h	m	kw	
100WQ80-25-11/2	100	80	25	11	2900
150WQ100-20-11/2	150	100	20	11	2900
150WQ120-15-11/2	150	120	15	11	2900
200WQ180-11-11/2	200	180	11	11	2900
50WQ20-70-15/2	50	20	70	15	2900
65WQ30-60-15/2	65	30	60	15	2900
80WQ60-40-15/2	80	60	40	15	2900
100WQ80-35-15/2	100	80	35	15	2900
150WQ100-30-15/2	150	100	30	15	2900
150WQ120-25-15/2	150	120	25	15	2900
200WQ180-15-15/2	200	180	15	15	2900
50WQ20-80-18.5/2	50	20	80	18.5	2900
65WQ30-68-18.5/2	65	30	68	18.5	2900
80WQ60-45-18.5/2	80	60	45	18.5	2900
100WQ80-40-18.5/2	100	80	40	18.5	2900
150WQ100-36-18.5/2	150	100	36	18.5	2900
200WQ180-18-18.5/2	200	180	18	18.5	2900
50WQ20-90-22/2	50	20	90	22	2900
65WQ30-75-22/2	65	30	75	22	2900
80WQ60-50-22/2	80	60	50	22	2900
100WQ80-45-22/2	100	80	45	22	2900
150WQ100-40-22/2	150	100	40	22	2900
200WQ200-20-22/2	200	200	20	22	2900
80WQ80-13-5.5/4	80	80	13	5.5	1450
100WQ110-10-5.5/4	100	110	10	5.5	1450
150WQ150-7-5.5/4	150	150	7	5.5	1450
80WQ80-20-7.5/4	80	80	20	7.5	1450
100WQ100-15-7.5/4	100	100	15	7.5	1450
150WQ145-9-7.5/4	150	145	9	7.5	1450
200WQ250-6-7.5/4	200	250	6	7.5	1450
100WQ100-25-11/4	100	100	25	11	1450
150WQ180-11-11/4	150	180	11	11	1450
200WQ300-7-11/4	200	300	7	11	1450
250WQ400-5-11/4	250	400	5	11	1450
100WQ100-30-15/4	100	100	30	15	1450
150WQ200-15-15/4	150	200	15	15	1450
200WQ250-11-15/4	200	250	11	15	1450
250WQ500-5-15/4	250	500	5	15	1450
100WQ100-35-18.5/4	100	100	35	18.5	1450
150WQ180-20-18.5/4	150	180	20	18.5	1450
200WQ250-15-18.5/4	200	250	15	18.5	1450
200WQ350-10-18.5/4	200	350	10	18.5	1450
250WQ500-7-18.5/4	250	500	7	18.5	1450

TECHNICAL DATA

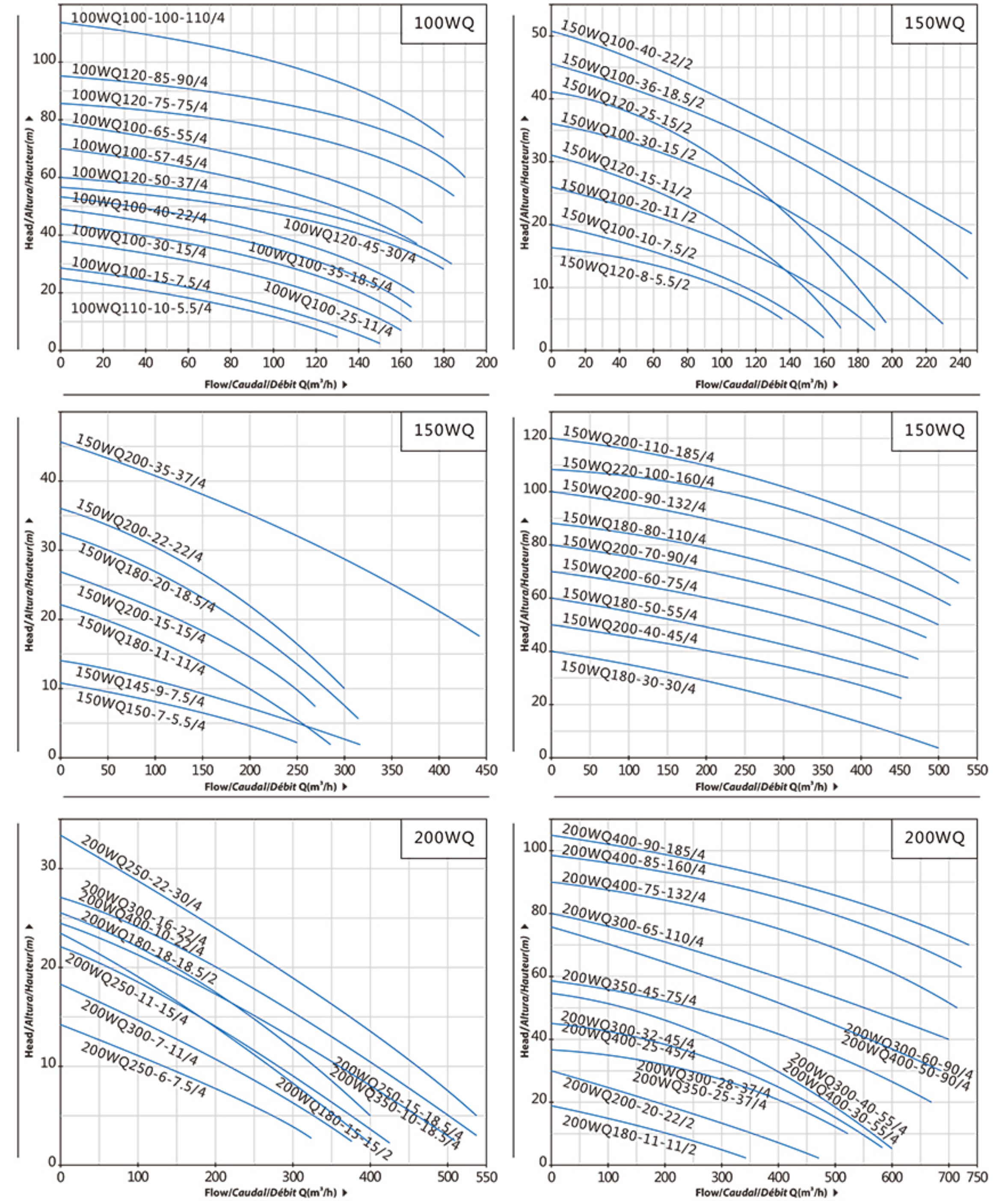
MODEL	DN	Flow	Head	Power	RPM
	mm	m³/h	m	kw	
300WQ650-5-18.5/4	300	650	5	18.5	1450
100WQ100-40-22/4	100	100	40	22	1450
150WQ200-22-22/4	150	200	22	22	1450
200WQ300-16-22/4	200	300	16	22	1450
200WQ400-10-22/4	200	400	10	22	1450
250WQ500-9-22/4	250	500	9	22	1450
300WQ650-7-22/4	300	650	7	22	1450
100WQ120-45-30/4	100	120	45	30	1450
150WQ180-30-30/4	150	180	30	30	1450
200WQ250-22-30/4	200	250	22	30	1450
250WQ500-12-30/4	250	500	12	30	1450
250WQ600-9-30/4	250	600	9	30	1450
300WQ800-7-30/4	300	800	7	30	1450
300WQ1000-6-30/6	300	1000	6	30	980
350WQ1500-4-30/6	350	1500	4	30	980
100WQ120-50-37/4	100	120	50	37	1450
150WQ200-35-37/4	150	200	35	37	1450
200WQ300-28-37/4	200	300	28	37	1450
200WQ350-25-37/4	200	350	25	37	1450
250WQ600-12-37/4	250	600	12	37	1450
300WQ800-9-37/4	300	800	9	37	1450
350WQ1000-6-37/4	350	1000	6	37	1450
350WQ1100-6-37/6	350	1100	6	37	980
100WQ100-57-45/4	100	100	57	45	1450
150WQ200-40-45/4	150	200	40	45	1450
200WQ300-32-45/4	200	300	32	45	1450
200WQ400-25-45/4	200	400	25	45	1450
250WQ600-15-45/4	250	600	15	45	1450
300WQ800-12-45/4	300	800	12	45	1450
350WQ1200-8-45/4	350	1200	8	45	1450
350WQ1300-8-45/6	350	1300	8	45	980
100WQ100-65-55/4	100	100	65	55	1450
150WQ180-50-55/4	150	180	50	55	1450
200WQ300-40-55/4	200	300	40	55	1450
200WQ400-30-55/4	200	400	30	55	1450
250WQ600-20-55/4	250	600	20	55	1450
300WQ800-15-55/4	300	800	15	55	1450
350WQ1000-10-55/4	350	1000	10	55	1450
350WQ1100-10-55/6	350	1100	10	55	980
100WQ120-75-75/4	100	120	75	75	1450
150WQ200-60-75/4	150	200	60	75	1450
200WQ350-45-75/4	200	350	45	75	1450
250WQ600-25-75/4	250	600	25	75	1450

MODEL	DN	Flow	Head	Power	RPM
	mm	m³/h	m	kw	
300WQ800-20-75/4	300	800	20	75	1450
350WQ1000-15-75/4	350	1000	15	75	1450
350WQ1500-12-75/6	350	1500	12	75	980
100WQ120-85-90/4	100	120	85	90	1450
150WQ200-70-90/4	150	200	70	90	1450
200WQ300-60-90/4	200	300	60	90	1450
200WQ400-50-90/4	200	400	50	90	1450
250WQ600-30-90/4	250	600	30	90	1450
300WQ800-25-90/4	300	800	25	90	1450
350WQ1000-18-90/4	350	1000	18	90	1450
350WQ1200-18-90/6	350	1200	18	90	980
100WQ100-100-110/4	100	100	100	110	1450
150WQ180-80-110/4	150	180	80	110	1450
200WQ300-65-110/4	200	300	65	110	1450
250WQ600-40-110/4	250	600	40	110	1450
300WQ1000-25-110/4	300	1000	25	110	1450
350WQ1300-20-110/4	350	1300	20	110	1450
350WQ1600-16-110/6	350	1600	16	110	980
150WQ200-90-132/4	150	200	90	132	1450
200WQ400-75-132/4	200	400	75	132	1450
250WQ600-50-132/4	250	600	50	132	1450
300WQ800-36-132/4	300	800	36	132	1450
350WQ1100-28-132/4	350	1100	28	132	1450
350WQ1500-20-132/6	350	1500	20	132	980
150WQ220-100-160/4	150	220	100	160	1450
200WQ400-85-160/4	200	400	85	160	1450
250WQ600-60-160/4	250	600	60	160	1450
300WQ800-40-160/4	300	800	40	160	1450
350WQ1000-35-160/4	350	1000	35	160	1450
350WQ1200-35-160/6	350	1200	35	160	980
150WQ200-110-185/4	150	200	110	185	1450
200WQ400-90-185/4	200	400	90	185	1450
250WQ600-70-185/4	250	600	70	185	1450
300WQ900-40-185/4	300	900	40	185	1450
350WQ1100-38-185/4	350	1100	38	185	1450
250WQ750-75-200/4	250	750	75	200	1450
300WQ1000-45-200/4	300	1000	45	200	1450
350WQ1300-35-200/4	350	1300	35	200	980
300WQ1100-45-250/4	300	1100	45	250	1450
350WQ1500-36-250/4	350	1500	36	250	1450
300WQ1000-55-315/4	300	1000	55	315	1450
350WQ1500-45-315/4	350	1500	45	315	1450

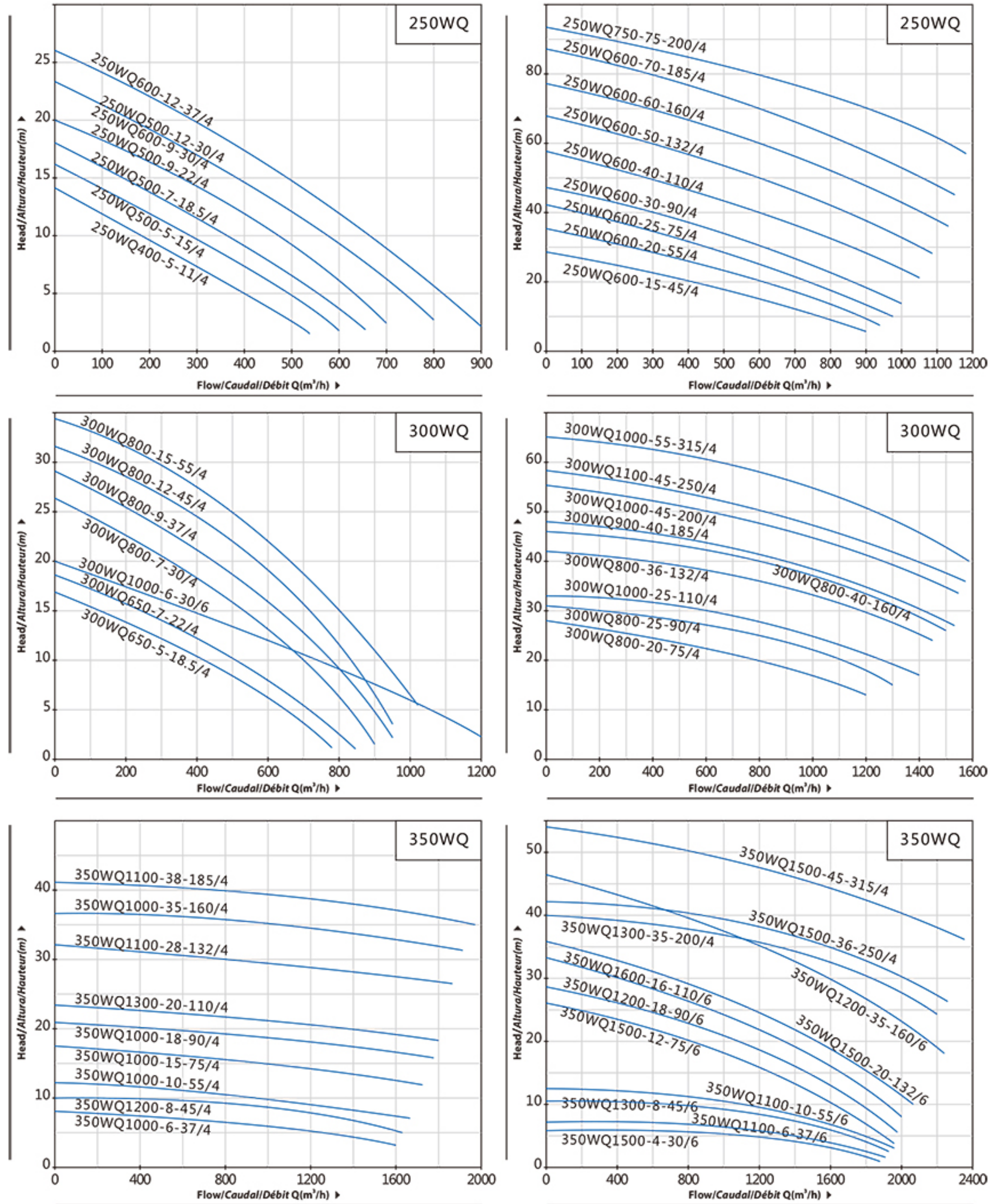
PERFORMANCE CURVE



PERFORMANCE CURVE



PERFORMANCE CURVE



WQ-SUBMERSIBLE SEWAGE NON-CLOOING PUMP

OVERVIEW

WQD series pumps adopt a specially designed open impeller with super centrifugal force capacity. Therefore, the pump is not only blocked by inhaling solid particles and fiber impurities, but also not easily scratched due to inhalation of non-abrasive particles. The water pump with float ball is an automatic control type. When the water level drops below the submerged surface, the float ball will automatically sink, and then the pump stops working. After the water level rises, the float ball will automatically increase running when the pump starts. This protection function prevents the motor from being damaged due to dry running of the pump, saves electricity and is convenient and reasonable to use.



TECHNICAL SHEET



Model	WQH
Capacity	1-85m ³ /h
Head	1-25m
DN	50-150mm
speed	1450/3600rpm
T max	40°C
Power	0.75-3kw
Casing	Cast iron/SS304
Impeller	Cast iron
Shaft	SS304
Shaft seal	Mechanical Seal
Bearing	Chinese famous brand

APPLICATION

- ◆ Treating liquid manure
- ◆ Draining sub-layer zones
- ◆ Emptying seepage water
- ◆ Moving sewage
- ◆ Emptying cesspits

PUMP MATERIAL

- Pump body: cast iron/ SS304
- Impeller: cast iron
- Insulation class: B
- Protection Class: IP X4
- Wire: copper/aluminum

Picture	Model	Power		Flow	Head	Outlet
		Kw	Hp	m ³ /h	m	
	WQH10-10-0.75	0.75	1	10	10	2"
	WQH15-10-1.1	1.1	1.5	15	10	2"
	QDX15-15-1.5	1.5	2	15	15	2"
	QDX15-20-2.2	2.2	3	15	20	2"
	QDX40-7-1.1	1.1	1.5	40	7	3"
	QDX45-9-1.5	1.5	2	45	9	3"
	QDX45-13-2.2	2.2	3	45	13	3"
	QDX65-7-2.2	2.2	3	65	7	4"
	QDX85-7-3	3	4	85	7	6"
	QDXF15-10-1.1	1.1	1.5	15	10	2"
	QDXF15-15-1.5	1.5	2	15	15	2"
	QDXF15-20-2.2	2.2	3	15	20	2"
	QDXF15-25-2.5	2.5	3.4	15	25	2"